

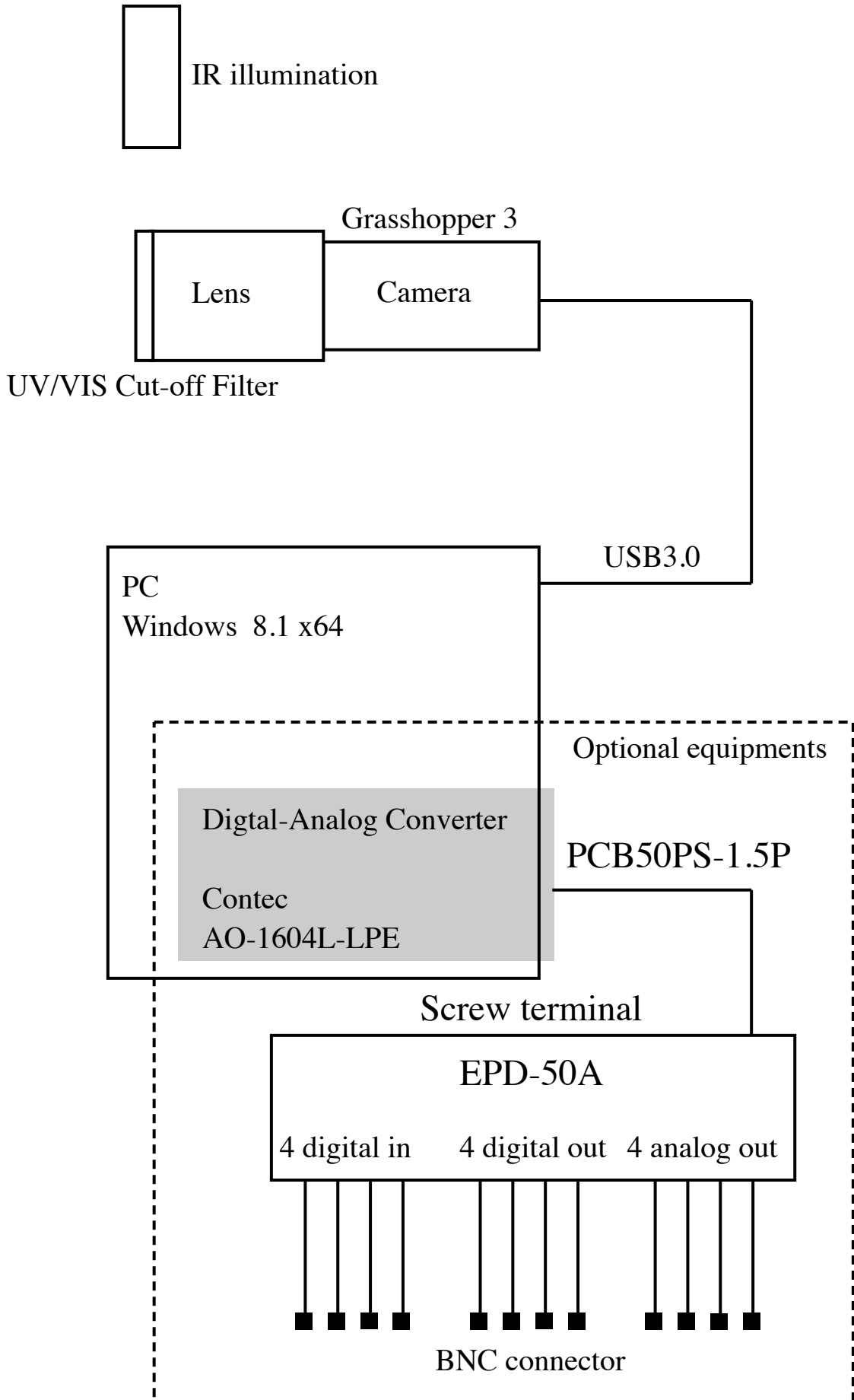
iRecHS2

Equipments  
2015/01/11

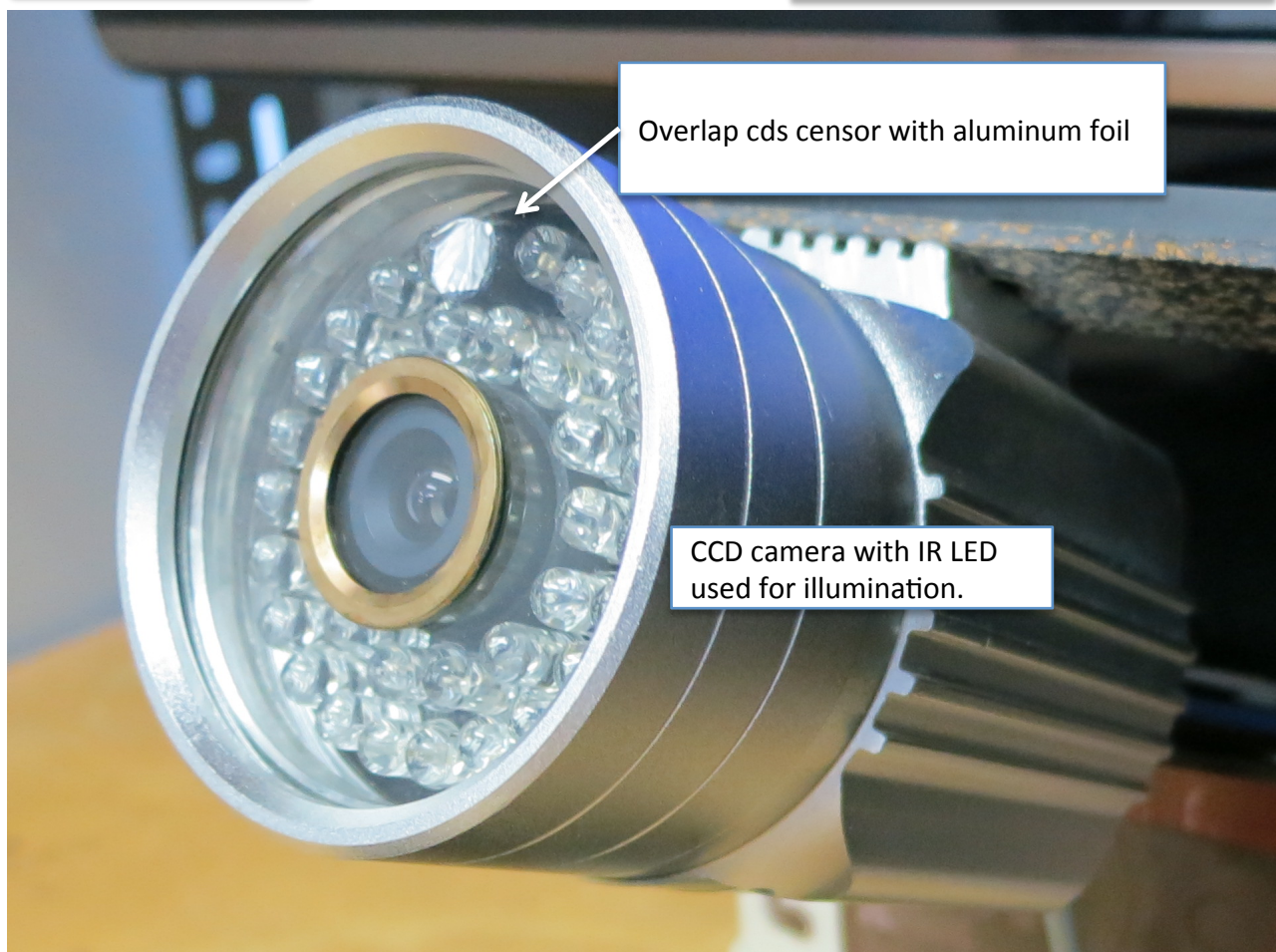
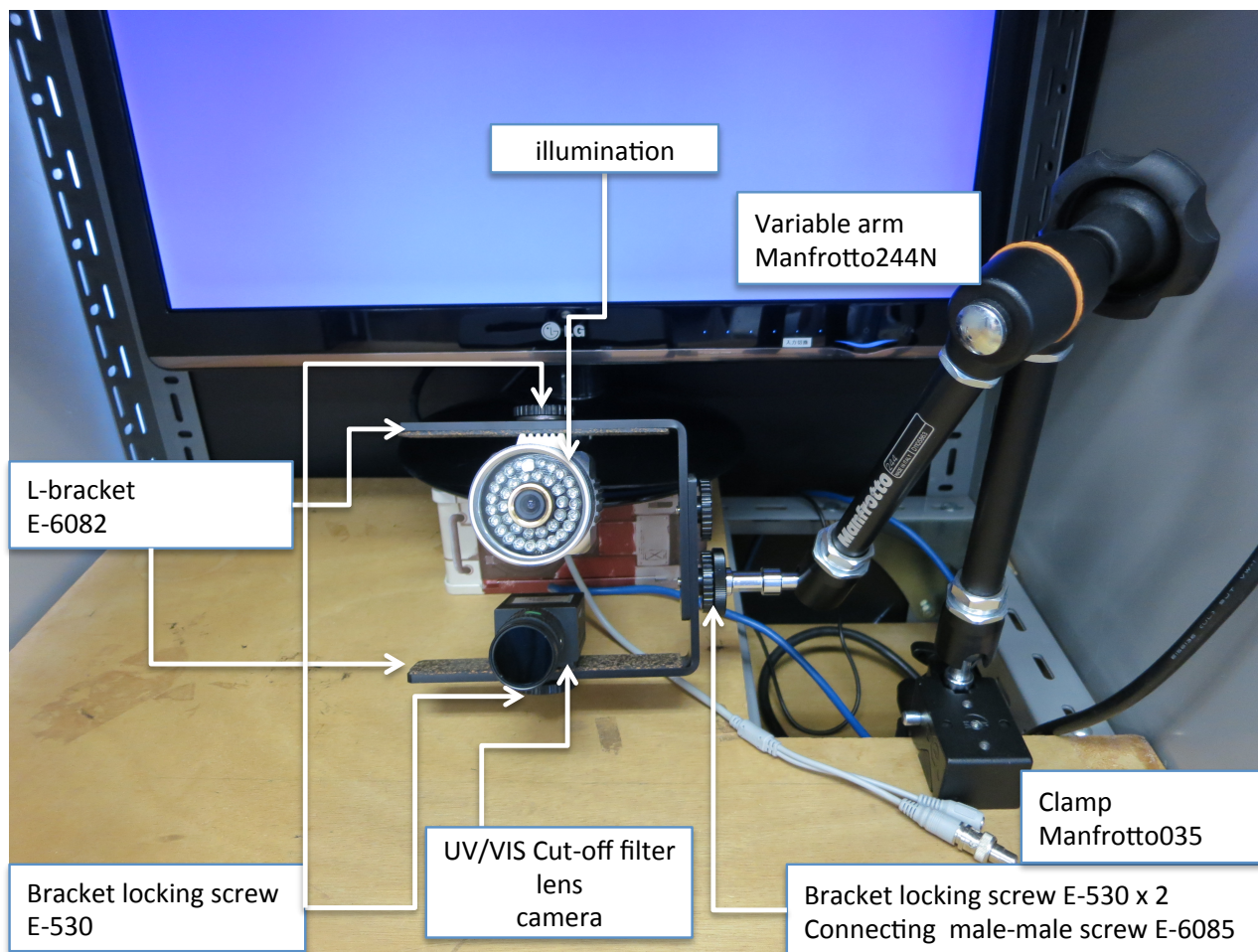
Keiji Matsuda  
AIST Research Staff  
System Neuroscience Group  
Human Technology Research Institute

URL <http://staff.aist.go.jp/k.matsuda/iRecHS2/>

System outline



Illumination,UV/VIS Cut-off filter,lens,camera and fixtures.

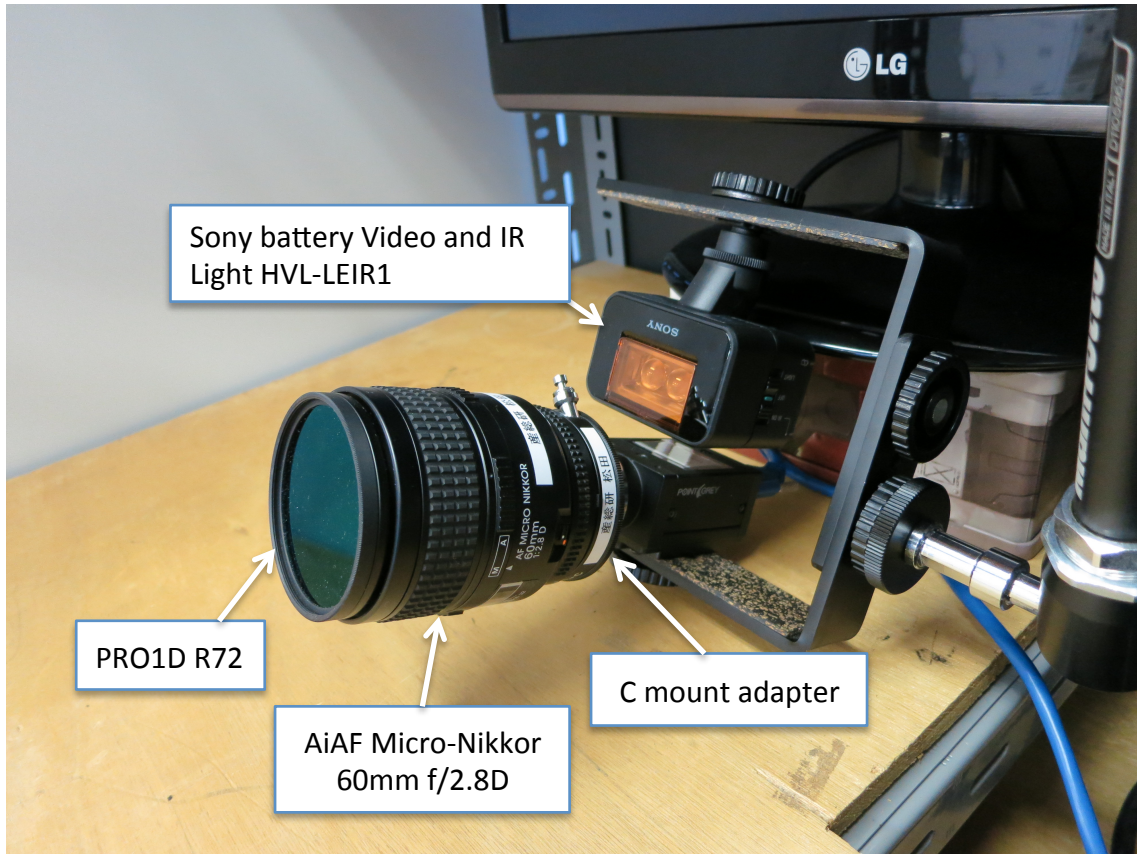


## Parts list 1

	Model	Company	memo	URL
Camera	Grasshopper3 GS3-U3-41C6NIR-C	Point Grey Research, Inc.	USB3.0 cable	<a href="http://www.ptgrey.com/grasshopper3-41-mp-mono-usb3-vision-cmosis-cmv4000-3e12-camera">http://www.ptgrey.com/ grasshopper3-41-mp- mono-usb3-vision-cmosis- cmv4000-3e12-camera</a>
Lens	M7528-MP2 75mm	CBC		<a href="http://computar.com/product/706/M7528-MP">http://computar.com/ product/706/M7528-MP</a>
UV/VIS Cut- Off Filter	R-72 M30.5 X 0.5	Edmund optics		<a href="http://www.edmundoptics.com/products/stock-number.cfm/?s=65-797">http:// www.edmundoptics.com/ products/stock- number.cfm/?s=65-797</a>
IR illumination	Security camera with IR illumination		AC adapter	<a href="http://www.amazon.com/dp/B00KHGPQV0/">http://www.amazon.com/ dp/B00KHGPQV0/</a>
L-bracket	E-6082	Etsumi	2	<a href="http://www.amazon.co.jp/dp/B0017IBEWM">http://www.amazon.co.jp/ dp/B0017IBEWM</a>
Screw	E-530 (1/4" Camera body)	Etsumi	4	<a href="http://www.amazon.co.jp/dp/B005LEWXTQ">www.amazon.co.jp/dp/ B005LEWXTQ</a>
Male-Male screw	E-6085 (1/4" Camera body)	Etsumi	1	<a href="http://www.amazon.co.jp/dp/B005LEWZ62/">http://www.amazon.co.jp/ dp/B005LEWZ62/</a>
Variable arm	244N	Manfrotto		<a href="http://www.manfrotto.us/variable-friction-magic-arm-without-camera-bracket">http://www.manfrotto.us/ variable-friction-magic-arm- without-camera-bracket</a>
Clamp	035	Manfrotto		<a href="http://www.manfrotto.us/product/0/035/_/_Super_Clamp_without_Stud">http://www.manfrotto.us/ product/0/035/_/_ Super_Clamp_without_Stud</a>



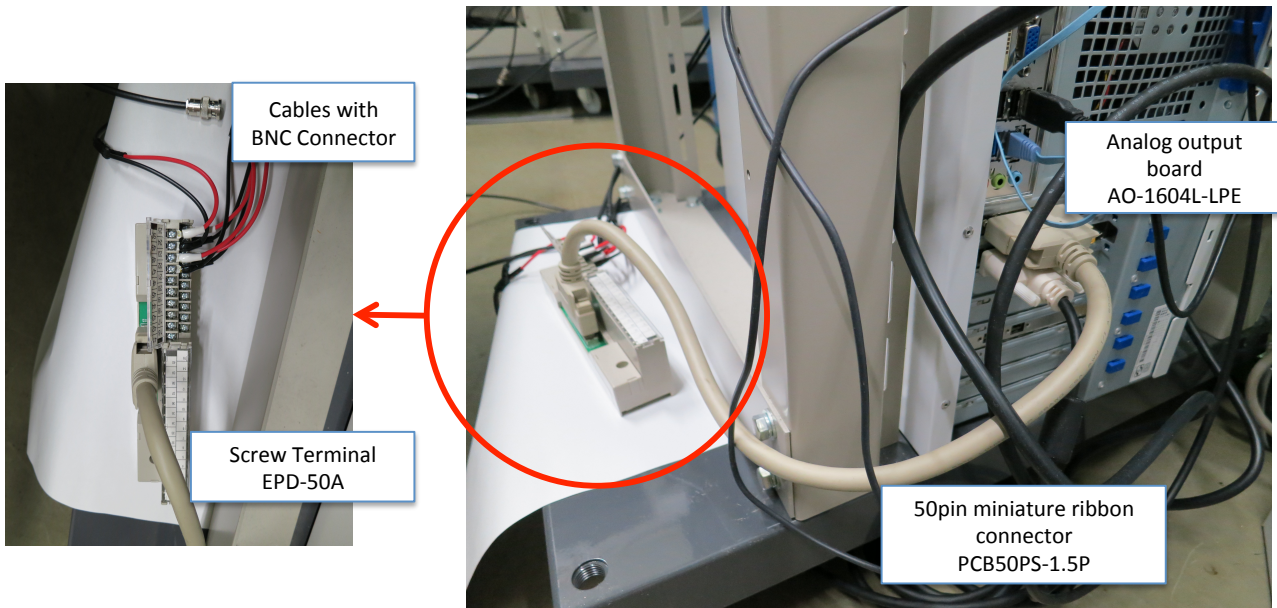
Changing filter,lens, mount adapter and illumination to suit the subject.



### Parts list 2

	Model	Company	memo	URL
IR illumination	Battery video and IR Light HVL-LEIR1	Sony		<a href="http://www.amazon.com/dp/B00BMTTO0U">http://www.amazon.com/dp/B00BMTTO0U</a>
UV/VIS Cut-off filter	62S PRO1D R72	Kenko	filter diameter 62mm	<a href="http://www.amazon.com/dp/B001G0P4FO/">http://www.amazon.com/dp/B001G0P4FO/</a>
Lens	Ai AF Micro-Nikkor 60mm f/2.8D	Nikon		<a href="http://www.amazon.com/dp/B0000ACCGK/">http://www.amazon.com/dp/B0000ACCGK/</a>
C mount adapter	Nikon F mount Lents to C mount Camera adapter			<a href="http://www.amazon.com/dp/B00D49WA5M/">http://www.amazon.com/dp/B00D49WA5M/</a>

Digital Analog converter (Analog output board with 4 digital in and 4 digital out.)



Parts list for Analog output

	Model	Company	memo	URL
Analog output board	AO-1604L-LPE	Contec		<a href="http://www.contec.com/product.php?id=1695">http://www.contec.com/product.php?id=1695</a>
Cable	PCB50PS-1.5P	Contec	1.5m	<a href="http://www.contec.com/product.php?id=1270">http://www.contec.com/product.php?id=1270</a>
Screw Terminal	EPD-50A	Contec		<a href="http://www.contec.com/product.php?id=1282">http://www.contec.com/product.php?id=1282</a>
BNC Cable			Remove alligator clips and crimp Y type terminal bellow.	<a href="http://www.amazon.com/dp/B0002JJU4G/">http://www.amazon.com/dp/B0002JJU4G/</a>
Crimped terminal	Y type			<a href="http://www.monotaro.sg/p/10711617/">http://www.monotaro.sg/p/10711617/</a>

## Software

### 1.Camera driver and SDK

FlyCapture 2.7.3.11 Windows(64bit)

<http://www.ptgrey.com/support/downloads>

### 2.Visual Studio 2013 (VC++ 12.0) VC++ Redistributable Packages (x64)

<http://support.microsoft.com/kb/2019667/en-us>

## Optional software

### 3.Analog output board driver and SDK(library)

Windows version high-performance Analog I/O Driver API-AIO(WDM)

<http://www.contec.com/products/download.cgi?HTML=DTL&KATA=AO-1604L-LPE&KATASIKI=AO-1604L-LPE&BUNRUI=0.0.0&SYUBETU=0#2>